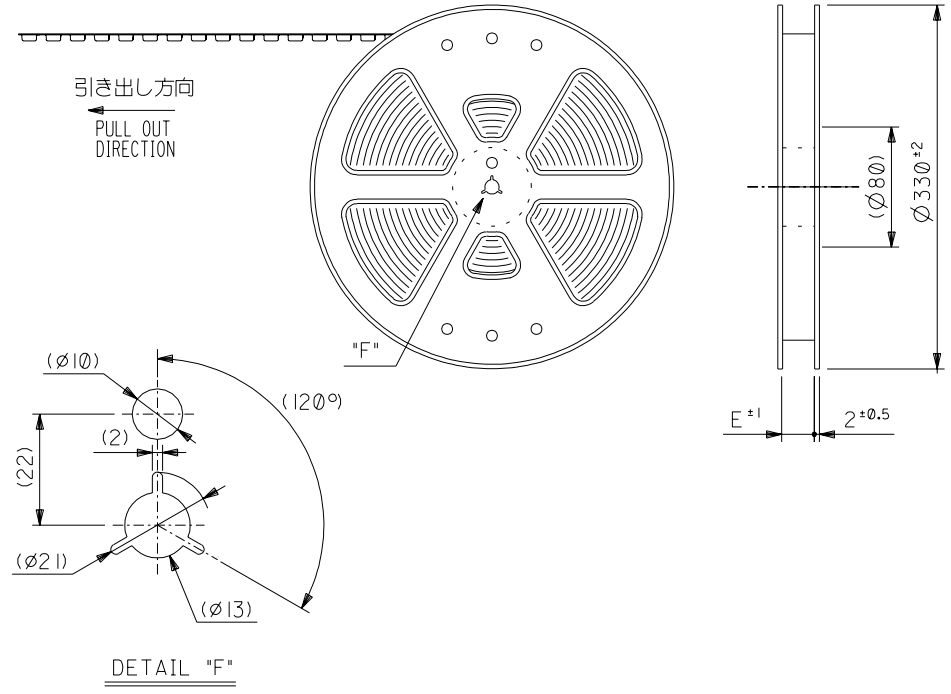


30.5	29.3	25.65	24.5	54104 - 5037	50
28.5	27.3	23.65	22.5	54104 - 4637	46
28.0	26.8	23.15	22.0	54104 - 4537	45
27.0	25.8	22.15	21.0	54104 - 4337	43
25.5	24.3	20.65	19.5	54104 - 4037	40
24.5	23.3	19.65	18.5	54104 - 3837	38
23.5	22.3	18.65	17.5	54104 - 3637	36
23.0	21.8	18.15	17.0	54104 - 3537	35
22.5	21.3	17.65	16.5	54104 - 3437	34
22.0	20.8	17.15	16.0	54104 - 3337	33
21.5	20.3	16.65	15.5	54104 - 3237	32
20.5	19.3	15.65	14.5	54104 - 3037	30
D	C	B	A	MATERIAL NO.	CKT.

DO NOT SCALE DRAWING

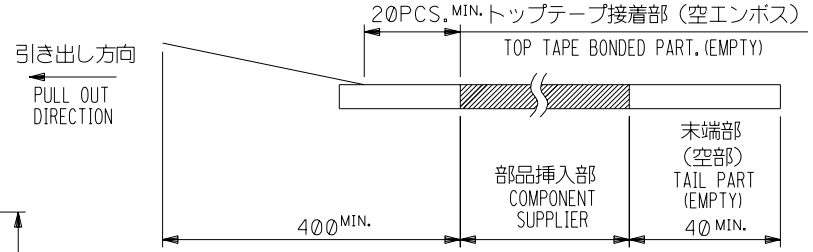
図番 NO. DRAWN: CH'K: APPR:	図番 NO. DRAWN: CH'K: APPR:	変更 REVISED 図番 NO. JZ003-2624 DRWN: K.TOJO CH'K: M.SASAO APPR: M.SASAO	変更 REVISED 図番 NO. JZ003-0977 DRWN: K.TOJO CH'K: M.SASAO APPR: M.SASAO	新規作成 RELEASED 図番 NO. JC2001-0415 DRWN: N.YANO CH'K: S.KUNISHI APPR: M.FUKUSHIMA	MATERIAL 材料 SHEET 2 OF 2 参照 SEE SHEET 2 OF 2
REV	DESCRIPTION	FINISH 仕上げ	WIRE RANGE 適用層線範囲	INS. RANGE 被覆外径	—

GENERAL TOLERANCES: (UNLESS SPECIFIED) 一般公差	SCALE	DESIGN UNITS <input checked="" type="checkbox"/> mm <input type="checkbox"/> INCH	DIMENSIONS: <input type="checkbox"/> mm <input type="checkbox"/> INCH <input type="checkbox"/> mm ONLY <input checked="" type="checkbox"/> mm ONLY	SHT REV
10 UNDER 未満 30 UNDER 未満	±0.2	DRAWN BY & DATE N.YANO '00/12/13	TITLE: 0.5 FPC Conn Zif Hsg Assy for SMT RA Upr Cont	2 1
10 OVER 以上 30 OVER 以上	±0.25 ±0.3	CHECKED BY & DATE S.KUNISHI '00/12/13	MOLEX MOLEX INCORPORATED	2 1
ANGLE 角度	±3°	APPROVED BY & DATE M.FUKUSHIMA '00/12/13	CAD FILENAME SD-54104-023.S01	MATERIAL NO. 54104-***37
			DRAWING NO. SD-54104-023	SHEET NO. 1 OF 2
THIS DRAWING CONTAINS INFORMATION THAT IS PROPRIETARY TO MOLEX INCORPORATED AND SHOULD NOT BE USED WITHOUT WRITTEN PERMISSION.				SIZE B

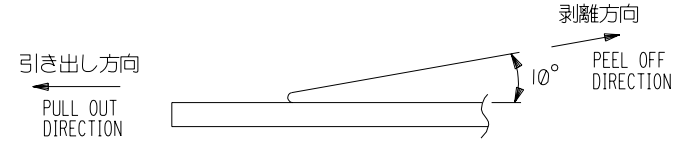


NOTES

- 梱包数量：1500個/リール
NUMBER OF CONNECTORS : 1500PCS/REEL
- リードテープ長さ LEAD TAPE LENGTH
20PCS. MIN. トップテープ接着部 (空エンボス)



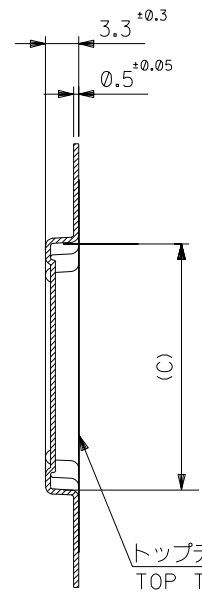
- トップテープの剥離強度：0.1N ~ 0.7N (10.2gf ~ 71.4gf)
(剥離方向は下図参照)
尚、本規格値は出荷時に適用。(但し、輸送時に剥離が発生しないこと。)
PEELING OFF FORCE OF TOP TAPE : 0.1N ~ 0.7N (10.2gf ~ 71.4gf)
(PEELING DIRECTION AS SHOWN IN FOLLOWING FIG.)
THIS REQUIREMENT SHOULD BE APPLIED AT SHIPMENT.
PEEL OFF SHOULD NOT BE ALLOWED , DURING TRANSPORTATION.



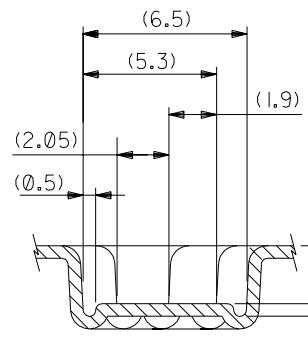
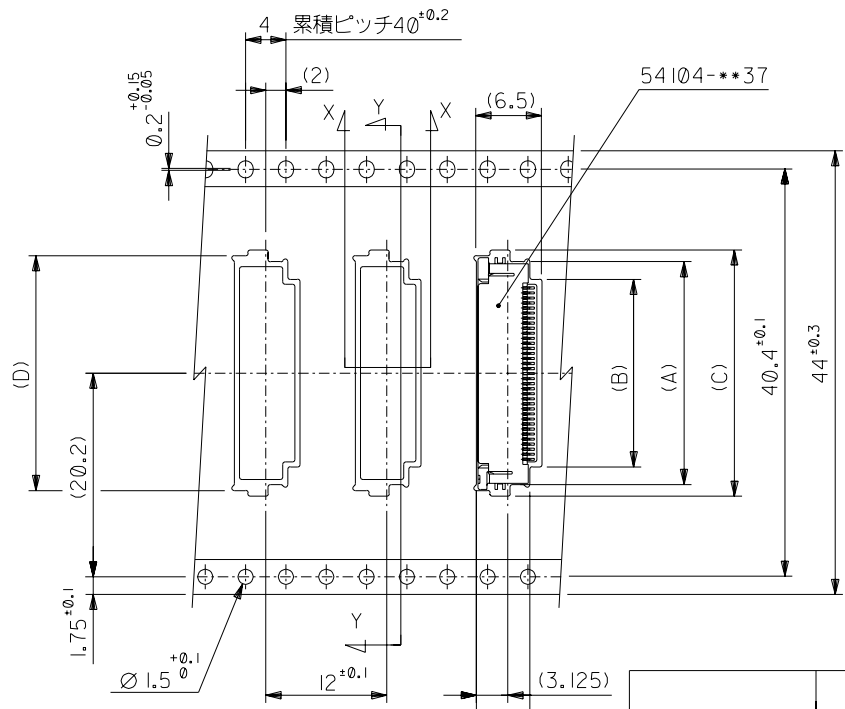
- 材料 (MATERIAL)
キャリアテープ (CARRIER TAPE) : ポリプロピレン (POLYPROPYLENE)
トップテープ (TOP TAPE) : PET, PE, PEF
リール (REEL) : ポリスチレン (PS) <リサイクル材を含む>
POLYSTYREN (PS) <RECYCLE MATERIAL CONTAINED>

64 NO. DRWN: CH'K: APPR: 63 NO. DRWN: CH'K: APPR: 62 NO. DRWN: CH'K: APPR: 変更 REVISED 61 NO. JZ003-0977 DRWN: K.TOJO CH'K: M.SASAO APPR: M.SASAO 新規格作成 RELEASED 60 NO. JC2001-0415 DRWN: N.YANO CH'K: S.KUNISHI APPR: M.FUKUSHIMA	A	0	MATERIAL 材料 注記参照 SEE NOTES FINISH 仕上げ 適用規格範囲 WIRE RANGE INS. RANGE 被覆外径	GENERAL TOLERANCES: (UNLESS SPECIFIED) 一般公差	SCALE DESIGN UNITS <input checked="" type="checkbox"/> mm <input type="checkbox"/> INCH	DIMENSIONS: <input type="checkbox"/> mm <input type="checkbox"/> INCH <input checked="" type="checkbox"/> mm ONLY	SHT REV 22 10
				10 UNDER 未満 30 UNDER 未満	±0.2 ±0.25	DRAWN BY & DATE N.YANO '00/12/13	TITLE: Embstp Pkg for 0.5 FPC Conn Zif Hsg Assy
8	7	6	5	4	3	2	1

THIS DRAWING CONTAINS INFORMATION THAT IS PROPRIETARY TO MOLEX INCORPORATED AND SHOULD NOT BE USED WITHOUT WRITTEN PERMISSION.



SECT:Y-Y



SECT:X-X
(SCALE:5-1)

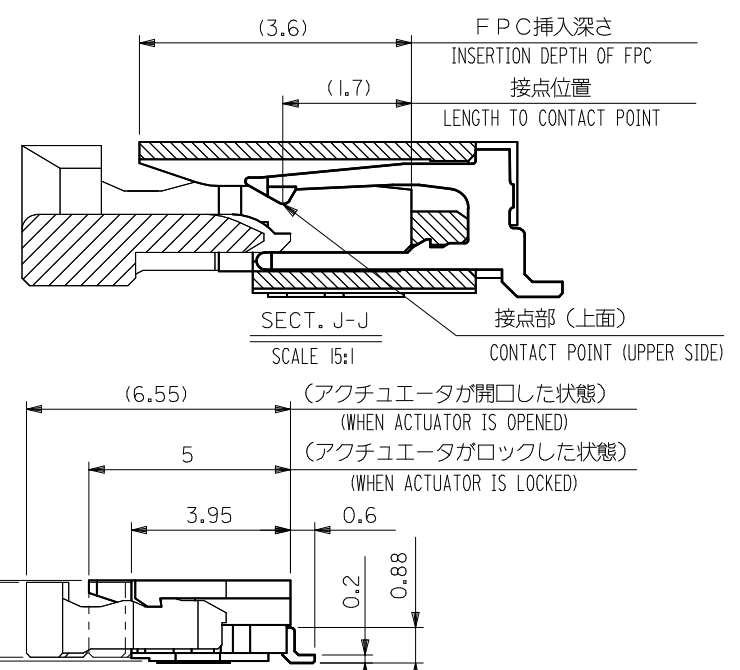
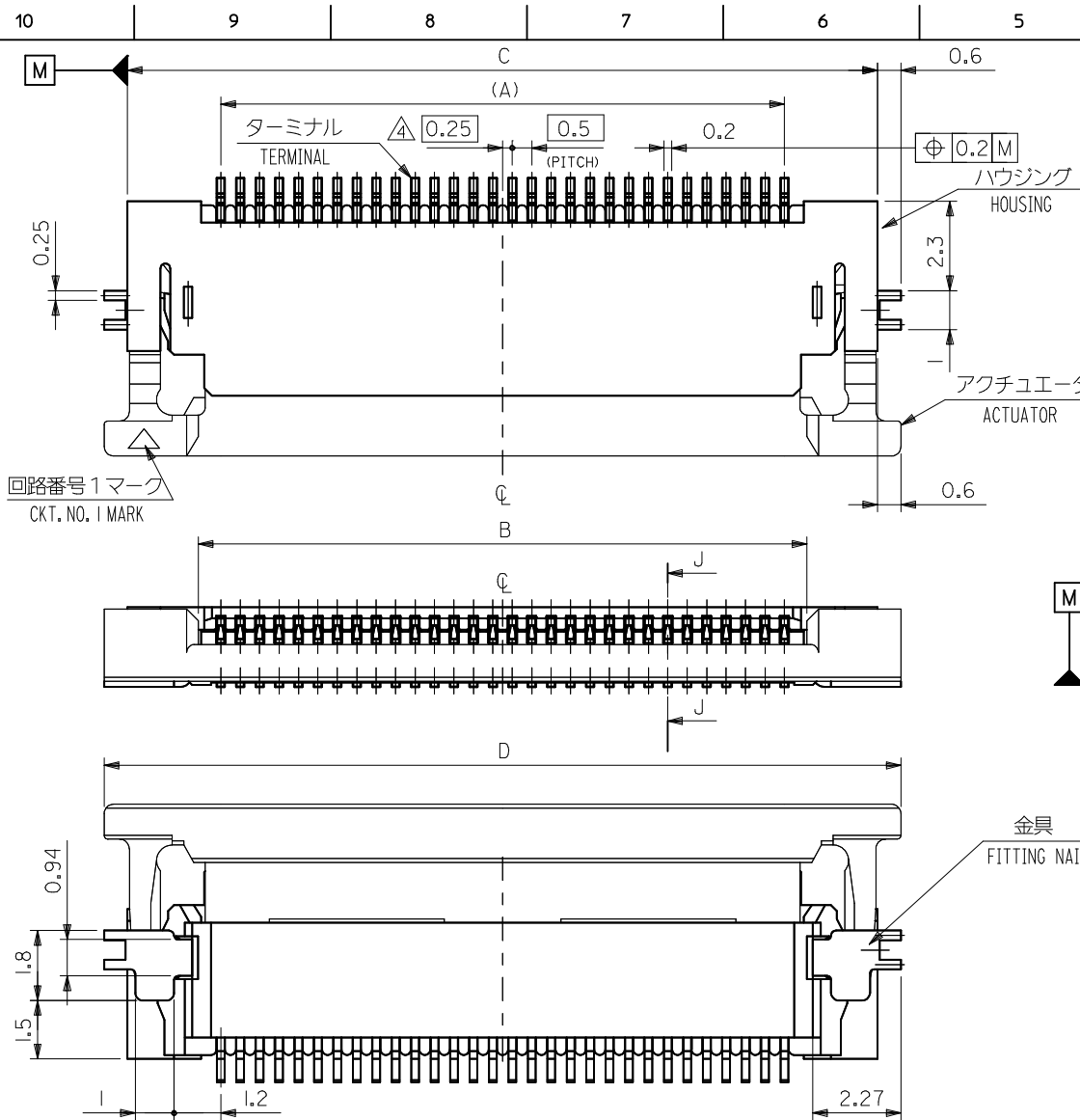
44	45.5	30.8	31.9	26.1	29.6	54104-5092	50
		28.8	29.9	24.1	27.6	-4692	46
		28.3	29.4	23.6	27.1	-4592	45
		27.3	28.4	22.6	26.1	-4392	43
		25.8	26.9	21.1	24.6	-4092	40
		24.8	25.9	20.1	23.6	-3892	38
		23.8	24.9	19.1	22.6	-3692	36
		23.3	24.4	18.6	22.1	-3592	35
		22.8	23.9	18.1	21.6	-3492	34
		22.3	23.4	17.6	21.1	-3392	33
		21.8	22.9	17.1	20.6	-3292	32
		20.8	21.9	16.1	19.6	54104-3092	30
キャリアテープ幅 CARRIER TAPE WIDTH	E	D	C	B	A	MATERIAL NO.	CKT.

DO NOT SCALE DRAWING

64 NO. DRWN: CH'K: APPR:	63 NO. DRWN: CH'K: APPR:	62 NO. DRWN: CH'K: APPR:	変更 REVISED 102/10/015 61 NO. JZ003-0977 DRWN: K.TOJO CH'K: M.SASAO APPR: M.SASAO	新規作成 RELEASED 00/12/13 60 NO. JC2001-0415 DRWN: N.YANO CH'K: S.KUNISHI APPR: M.FUKUSHIMA	MATERIAL 材料 SHEET 1 OF 2 参照 REFER TO SHEET 1 OF 2
WIRE RANGE 適用層線範囲	FINISH 仕上げ	INS. RANGE 被覆外径	〃	〃	〃

GENERAL TOLERANCES: (UNLESS SPECIFIED) 一般公差	SCALE	DESIGN UNITS <input checked="" type="checkbox"/> mm <input type="checkbox"/> INCH	DIMENSIONS: <input type="checkbox"/> mm <input type="checkbox"/> INCH <input checked="" type="checkbox"/> mm ONLY	SHT 2 OF 2	REV 0
10 UNDER 未満 ±0.2 10 OVER 30 UNDER 未満 ±0.25 30 OVER 以上 ±0.3	DRAWN BY & DATE N.YANO '00/12/13	CHECKED BY & DATE S.KUNISHI '00/12/13	TITLE: Embstp Pkg for 0.5 FPC Conn Zif Hsg Assy	MOLEX INCORPORATED	MATERIAL NO. SD-54104-***92
ANGLE 角度 ±3°	APPROVED BY & DATE M.FUKUSHIMA '00/12/13	CAD FILENAME SD-54104-024.S02	DRAWING NO. SD-54104-024	SHEET NO. 2 OF 2	SIZE B

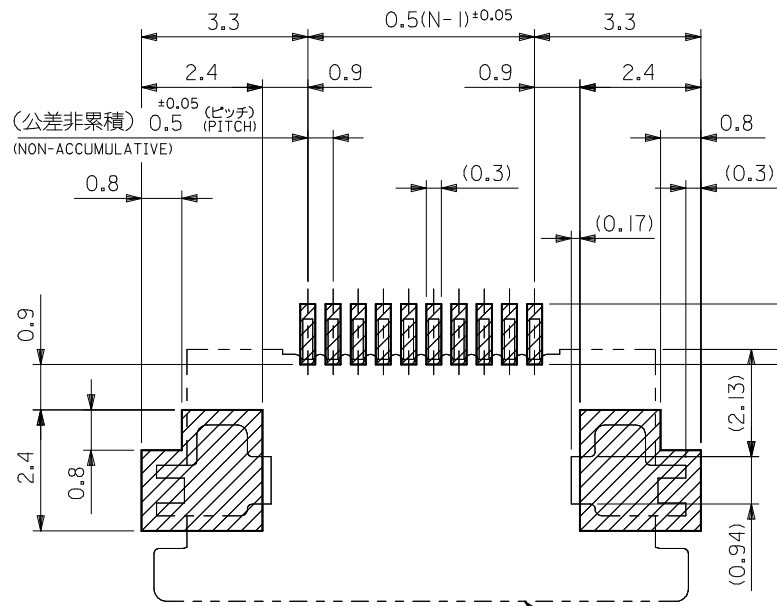
THIS DRAWING CONTAINS INFORMATION THAT IS PROPRIETARY TO MOLEX INCORPORATED AND SHOULD NOT BE USED WITHOUT WRITTEN PERMISSION.



30.5	29.3	25.65	24.5	54104-5033	50
28.5	27.3	23.65	22.5	54104-4633	46
28.0	26.8	23.15	22.0	54104-4533	45
25.5	24.3	20.65	19.5	54104-4033	40
24.5	23.3	19.65	18.5	54104-3833	38
23.5	22.3	18.65	17.5	54104-3633	36
23.0	21.8	18.15	17.0	54104-3533	35
22.5	21.3	17.65	16.5	54104-3433	34
22.0	20.8	17.15	16.0	54104-3333	33
21.5	20.3	16.65	15.5	54104-3233	32
20.5	19.3	15.65	14.5	54104-3033	30
D	C	B	A	オーダー番号 ORDER NO.	CKT.

CONNECTOR SERIES NO. 54104-**22

RELEASED EC NO: J2013-1003 DRWN:KNAGUMO 2012/09/03 CHKD:KTAKAHASHI 2012/09/06 APPR:KMORIKAWA 2013/03/15	GENERAL TOLERANCES (UNLESS SPECIFIED)		DIMENSION STYLE	SCALE	DESIGN UNITS	THIRD ANGLE PROJECTION 0.5MM FPC CONN ZIF R/A HOUSING ASSY (UPPER CONTACT) molex DOCUMENT NO. SD-54104-083 SHEET NO. 1 OF 2
	10 UNDER ± ---		MM ONLY	---	METRIC	
	10 OVER 30 UNDER ± ---		DRAWN BY DATE	TITLE		
	30 OVER ± ---		CHECKED BY DATE	0.5MM FPC CONN ZIF R/A HOUSING ASSY (UPPER CONTACT)		
O	ANGULAR ± --- °		APPROVED BY DATE	MATERIAL NO.		
	DRAFT WHERE APPLICABLE MUST REMAIN WITHIN DIMENSIONS		SEE CHART	THIS DRAWING CONTAINS INFORMATION THAT IS PROPRIETARY TO MOLEX INCORPORATED AND SHOULD NOT BE USED WITHOUT WRITTEN PERMISSION		
			SIZE A3			

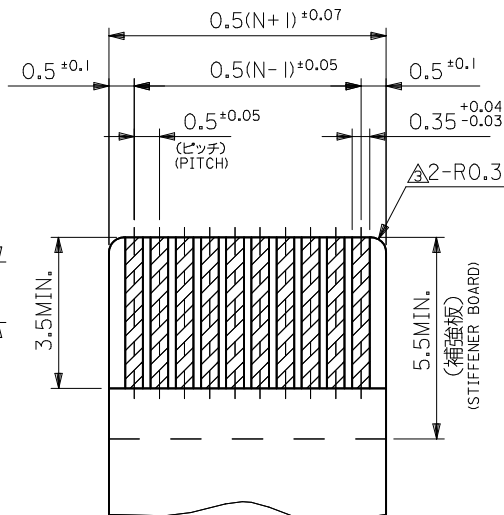


参考基板レイアウト
RECOMMENDED P.C. BOARD
PATTERN DIMENSION (REF.)
(マウント面)
(MOUNTING SIDE)

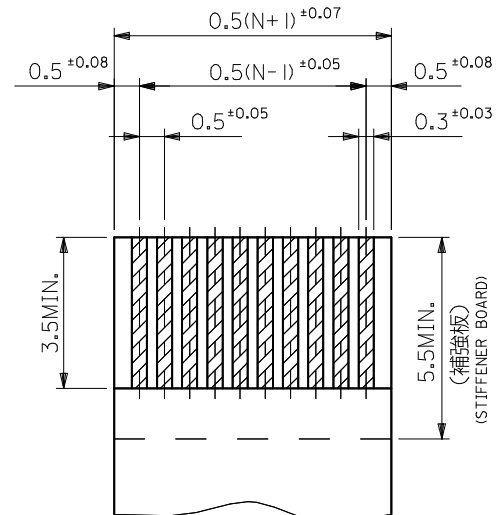
コネクタ位置
CONNECTOR POSITION

注記 NOTES

- 材質 MATERIAL
ハウジング : LCP (液晶ポリマー) , ガラス充填、白色、UL94V-0
HOUSING : LCP (LIQUID CRYSTAL POLYMER) , GLASS FILLED, WHITE, UL94V-0
アクチュエータ : PPS, ガラス充填、茶色、UL94V-0
ACTUATOR : PPS (POLYPHENYLENE SULFIDE) , GLASS FILLED, BROWN, UL94V-0
ターミナル : 銅合金 (t = 0.15)
TERMINAL : COPPER ALLOY (t = 0.15)
金具 : 銅合金 (t = 0.2)
NAIL * COPPER ALLOY (t = 0.2)
 - メッキ仕様 PLATING
ターミナル TERMINAL
錫銀ピスマスメッキ(1.0 μm以上)
TIN SILVER BISMUTH PLATING(1.0 MICROMETER MINIMUM)
下地メッキ : ニッケルメッキ(1.0 μm以上)
UNDER PLATING : NICKEL PLATING(1.0 MICROMETER MINIMUM)
金具 NAIL
半田メッキ(3.0 μm以上)
TIN-LEAD PLATING(3.0 MICROMETER MINIMUM)
下地メッキ : 銅メッキ(1.0 μm以上)
UNDER PLATING : COPPER PLATING(1.0 MICROMETER MINIMUM)
- △3 R0.3はFPCの導体部にかからないこと
R0.3 MUST NOT BE OVERLAPED TO PATTERN OF FPC.
- △4 偶数極に適用
APPLY FOR EVEN CIRCUIT
- エンボスステップ梱包時は、アクチュエータがロックした状態とする。
IN THE PACKAGE, ACTUATOR OF PART NO.54104-***22 SHOULD BE LOCKED.
 - ソルダーテール及び金具の平坦度は、0.1ミリメートル以下とする。
SOLDER TAIL AND FITTING NAIL COPLANARITY TO BE 0.1MILLIMETERS.
 - ELV及びRoHS適合品
ELV & RoHS COMPLIANT



適合FPC推奨寸法
APPLICABLE FPC
RECOMMENDED DIMENSION
(仕上がり厚さ : 0.3±0.03)
(THICKNESS:0.3±0.03)



適合FFC推奨寸法
APPLICABLE FFC
RECOMMENDED DIMENSION
(仕上がり厚さ : 0.3±0.03)
(THICKNESS:0.3±0.03)

FPC/FFCについて ABOUT FPC/FFC

打ち抜き方向は導体側から補強板側を推奨します。
導体部については軟銅箔35 μmまたは50 μmを推奨します。
RECOMMENDED PUNCHING DIRECTION: FROM CONDUCTOR SIDE TO STIFFENER SIDE
RECOMMENDED CONDUCTOR SPEC: SOFT COPPER FOIL
RECOMMENDED CONDUCTOR THICKNESS: 35 MICROMETER OR 50 MICROMETER

FPCについてABOUT FPC

補強フィルム材質はポリイミドを推奨します。ベースフィルムは25 μmを推奨します。
接着剤は熱硬化接着剤を推奨します。
尚、接着剤の接点部への付着は導通不良の原因になりますので、染み出しが無い様、お願い致します。
RECOMMENDED STIFFENER MATERIAL: POLYIMIDE
RECOMMENDED BASE FILM THICKNESS: 25 MICROMETER
RECOMMENDED ADHESIVE: THERMOSETTING ADHESIVE
NOTE: PLEASE PUT APPROPRIATE AMOUNT OF ADHESIVE ON ADHEREND BECAUSE THERE IS A POSSIBILITY THAT THE EXTRA ADHESIVE CAUSES THE DEFECT IN ELECTRICAL CONTINUITY.

SEE SHEET 1 OF 2 EC NO: J2013-1003 DRWN:KNAGUMO 2012/09/03 CHKD:KTAKAHASHI 2012/09/06 APPR:KMORIKAWA 2013/03/15	DESCRIPTION	GENERAL TOLERANCES (UNLESS SPECIFIED)		DIMENSION STYLE MM ONLY		SCALE ---	DESIGN UNITS METRIC	THIRD ANGLE PROJECTION		
		10 UNDER	± ---	DRAWN BY KNAGUMO	DATE 2012/09/03	TITLE 0.5MM FPC CONN ZIF R/A HOUSING ASSY (UPPER CONTACT)				
		10 OVER 30 UNDER	± ---	CHECKED BY KTAKAHASHI	DATE 2012/09/06					
		30 OVER	± ---	APPROVED BY KMORIKAWA	DATE 2013/03/15					
REV	0	ANGULAR	± --- °	MATERIAL NO.		DOCUMENT NO.		SHEET NO.		
		DRAFT WHERE APPLICABLE MUST REMAIN WITHIN DIMENSIONS		SEE CHART		SD-54104-083		2 OF 2		
				THIS DRAWING CONTAINS INFORMATION THAT IS PROPRIETARY TO MOLEX INCORPORATED AND SHOULD NOT BE USED WITHOUT WRITTEN PERMISSION						